

# OIL FREE ROTARY SCREW AIR COMPRESSORS

## DSP SERIES 22-240 KW



## OIL FREE AIR

### ENGINEERED WITH A DIFFERENCE.

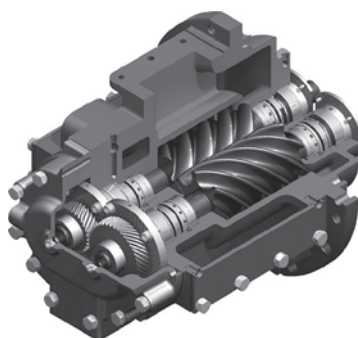
RELIABLE HITACHI ENGINEERED PACKAGE DESIGN  
BASED ON MORE THAN 50 YEARS OF OIL FREE  
ROTARY SCREW EXPERIENCE.

All DSP Series are Certified Class 0 per ISO8573-1 and carry  
the Sullair Oil Free Seal.

### INNOVATIVE AIR END CONSTRUCTION

The DSP series features an innovative air end design for  
maximum durability and superior corrosion resistance.

- Patented PTFE-free coating
- Stainless Steel on 1st and 2nd stage rotors.
- High efficiency and heat resistant design



### OIL MIST REMOVER (OMR)

- Oil mist from gearcase is removed with 99.99% efficiency.
- Recaptured oil mist returned reducing gearcase top offs needed - saving you money.
- Maintains gearcase at negative pressure
- Helps ensure a cleaner production environment around the compressor



### MOTORIZED ISOLATION VALVE (MIV)

- Provides additional protection for the compressor against downstream humidity – one of the biggest enemies of oil free screw compressors.
- Located at the compressed air discharge, the MIV helps avoid migration of moisture back into the compressor package when the DSP is not running.



### WARRANTY INFORMATION

All DSP Series Compressors feature a 3  
year package warranty when continuously  
serviced with genuine DSP parts.

*Restrictions apply.*



For more information contact:



ANELIXIS ΕΜΠΟΡΙΑ • ΚΑΤΑΣΚΕΥΕΣ ΜΗΧ/ΤΩΝ & ΑΝΤΑΛ/ΚΩΝ Ε.Π.Ε.  
ΕΠΙΣΚΕΥΕΣ ΜΗΧΑΝΗΜΑΤΩΝ • ΜΕΛΕΤΕΣ • ΚΑΤΑΣΚΕΥΕΣ Η-Μ/ΚΩΝ ΕΡΓΩΝ

Λεωφ. Γ. Γεννηματά - 190 18 Μαγούλα Αττικής, Τηλ.: 210.555 6460  
www.anelixis.eu, www.anelixisepe.gr e-mail:anelixis@otenet.gr